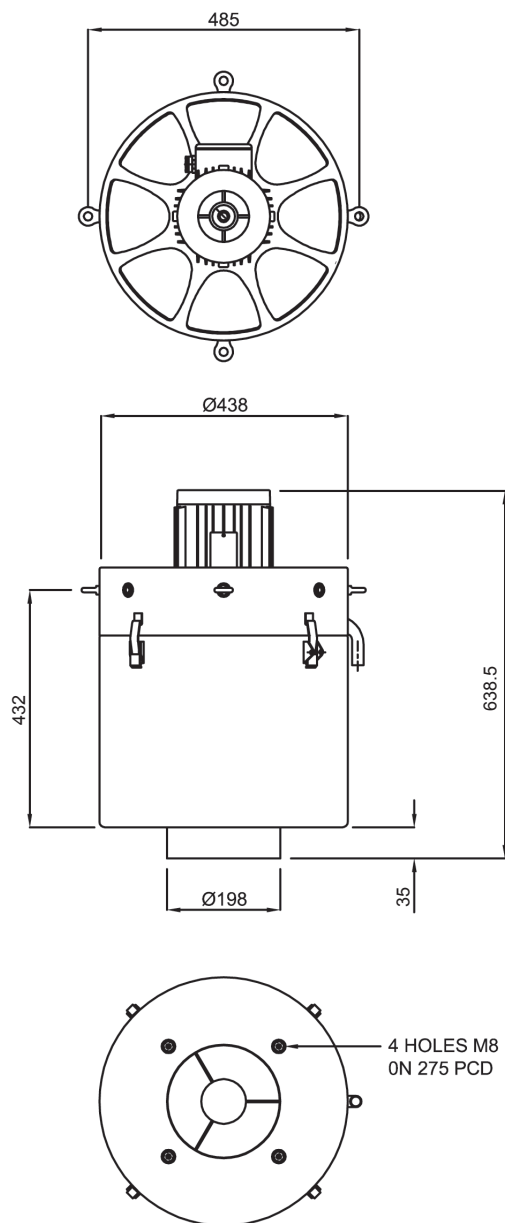


FILTERMIST **FX SERIES** OIL MIST FILTER



FX7002	
AIRFLOW (M ³ /HR)	2750 @ 50Hz
MOTOR ¹ (2.2 kW, 3ph)	50Hz
	200v, 220v, 380v, 400v, 415v
WEIGHT (KG)	36.8
NOISE ² (dBA)	73
CONSTRUCTION	Mild Steel Powder Coated Grey RAL7035

¹ Motors to be used on specified voltages only

² Results are in test conditions +/- 3% tolerance. Local variations and in use conditions may effect readings.

January 2014